



# R3 Navo Series



## User Manual

R3-30K

R3-36K

R3-40K

R3-50K

**RENAC**



# Content

<b>1. Introduction</b>	<b>4</b>
1.1 Introduction	4
1.2 Applied designations	4
1.3 Important safety information	5
1.4 System sizing	5
<b>2. Technical description of inverters</b>	<b>6</b>
2.1 Mechanical design	6
2.2 Electrical system design	6
2.3 Technical data	7
2.4 Grid codes	8
<b>3. Installation and startup</b>	<b>10</b>
3.1 Package information	10
3.2 Installation environment	11
3.3 Installation position	11
3.4 Mounting procedure	12
3.5 Electrical connection	13
3.5.1 Earth connection	13
3.5.2 Connection to the grid (AC output)	13
3.5.3 Connection to PV string (DC input)	16
3.6 Communication	17
3.7 RCR Port (Europe Standard)	17
3.8 COM Port	19
3.9 USB Port	19
3.10 Meter connection	19
3.11 RS485 connection	20
3.12 AFCI function (Optional)	21
<b>4. Commissioning</b>	<b>22</b>
4.1 Check before operation	22
4.2 Power on	22
<b>5. User interface</b>	<b>23</b>
5.1 Led and key	23
5.2 LCD display	24
5.2.1 Setting	26
5.2.2 Language setting	26
5.2.3 Date and time setting	26
5.2.4 PV configuration setting	26
5.2.5 Communication address setting	27
5.2.6 Checking error logs	27
5.2.7 System switch setting	27

5.2.8 Inverter information checking .....	27
5.2.9 Grid code setting .....	27
5.2.10 Feed in limit (CT) setting.....	28
5.2.11 DRMO setting.....	28
5.2.12 AFCI setting.....	28
5.2.13 PID setting.....	29
5.2.14 RCR setting .....	29
5.2.15 Software update .....	29
5.2.16 New password setting .....	30
5.2.17 Reset setting .....	30
5.3 Self-Test in accordance with CEI 0-21 (Applies to Italy only) .....	30
<b>6. Warranty .....</b>	<b>31</b>
6.1 Warranty claim procedure .....	31
6.2 Service after warranty expiration .....	31
<b>7. Troubleshooting.....</b>	<b>31</b>
<b>8. Maintenance .....</b>	<b>33</b>
8.1 Routine Maintenance.....	33
8.2 Fan Maintenance .....	34

## **Notice**

This manual contains important safety instructions, installation, electrical connections, commissioning, maintenance, and troubleshooting of the equipment.

## **Save the manual!**

This manual must be stored carefully and be available at all times.

## **Copyright Declaration**

All rights to the content of this manual are owned by RENAC Power Technology Co., Ltd. (hereinafter called as 'RENAC Power'). Any corporation or individual should not plagiarize, partially or fully copy it, and reproduce or distribute it in any form or means without prior written permission from RENAC Power.

RENAC Power reserves the right of final interpretation. This manual may be updated according to user's or customer's feedback. The information in this manual is subject to change without notice. Every effort has been made to ensure the accuracy of the contents of this manual, but nothing mentioned herein expresses or implies any other information.

Please check our website at <http://www.renacpower.com> for latest version.

## 1. Introduction

### 1.1 Introduction

This manual describes solar inverters:










R3-30K / R3-36K / R3-40K / R3-50K.

These inverters are transformerless based inverter.

Please read the safety instructions in this manual first. Throughout the manual it is assumed that the reader is familiar with AC and DC installations and knows the rules and regulations for electrical equipment and connecting it to the utility AC grid. It is especially important to be familiar with the general safety rules for working with electrical equipment.


### 1.2 Applied designations

Throughout the manual important information is shown at different levels depending on the character of the information, as shown here:


	Safety information important for human safety. Violation of warnings may result in injury to persons or death.
	Danger of high voltage and electric shock!
	Signals danger due to electrical shock and indicates the time (5 minutes) to allow after the inverter has been turned off and disconnected to ensure safety in any installation operation.
	Danger of hot surface!
	Product should not be disposed as normal household waste.
	CE Mark
	ROHS Mark
	Information important for the protection of property. Violation of this type of information may cause damage and loss of property.
	Useful additional information or "Tips and Tricks" on specific subjects.

### 1.3 Important safety information

Read this before installing, operating or maintaining the inverter.

	<p><b>Before installation:</b></p> <p>Check for damage to inverter and packaging. If you are in doubt, please contact your supplier before installing the inverter. Check the voltages of the PV modules and make sure they are within the limits of the inverter specifications before connecting them to the inverter.</p>
	<p><b>Installation:</b></p> <p>Only trained and authorized personnel familiar with local electrical codes may install the inverter. For optimum safety, please follow the steps described in this manual. Keep in mind that the inverter has two voltage carrying sides, the PV input and the AC grid.</p>
	<p><b>Disconnecting the inverter:</b></p> <p>Always disconnect the AC line first! Afterwards disconnect the PV lines. Note that the inverter can still be charged with very high voltages at hazardous levels even when it is disconnected from grid and PV panels. Wait at least 5 min. before proceeding, after having disconnected from grid and PV panels.</p>
	<p><b>Operating the inverter:</b></p> <p>Before connecting the AC grid to the inverter, make sure that the installation cover is mounted again. The inverter must not be open during operation.</p>
	<p><b>Maintenance and modification:</b></p> <p>Only authorized personnel are allowed to repair or modify the inverter. To ensure optimum safety for user and environment, only the original spare parts available from your supplier should be used.</p>
	<p><b>Functional safety parameters:</b></p> <p>Unauthorized changes of functional safety parameters may cause injury or accidents to people or inverter. Additionally it will lead to the cancelling of all inverter operating approval certificates.</p>

### 1.4 System sizing

	<p>When dimensioning a photovoltaic system, it must be ensured that the open circuit voltage of the PV string never exceeds the maximum permissible input voltage of 1100V DC. The PV string open circuit voltage during parallel string operation is 1000V. Higher voltages may result in permanent damage to the inverter.</p>
---	--

The selection of PV string output should be based on the optimum utilization of the invested capital compared to the expected annual energy yield from the system. This optimization depends on local weather conditions and should be considered in each individual case.

The inverter incorporates an input power limiting device which automatically keeps the power at levels that are safe for the inverter. The limitation depends mainly on internal and ambient temperatures. The limitation is calculated continuously and always allows the maximum possible amount of energy to be produced.

Please use the tool supplied by Renac Power when dimensioning a photovoltaic system.

## 2. Technical description of inverters

### 2.1 Mechanical design

Figure 2-1 shows the outline dimensions of R3-30K / R3-36K / R3-40K / R3-50K:

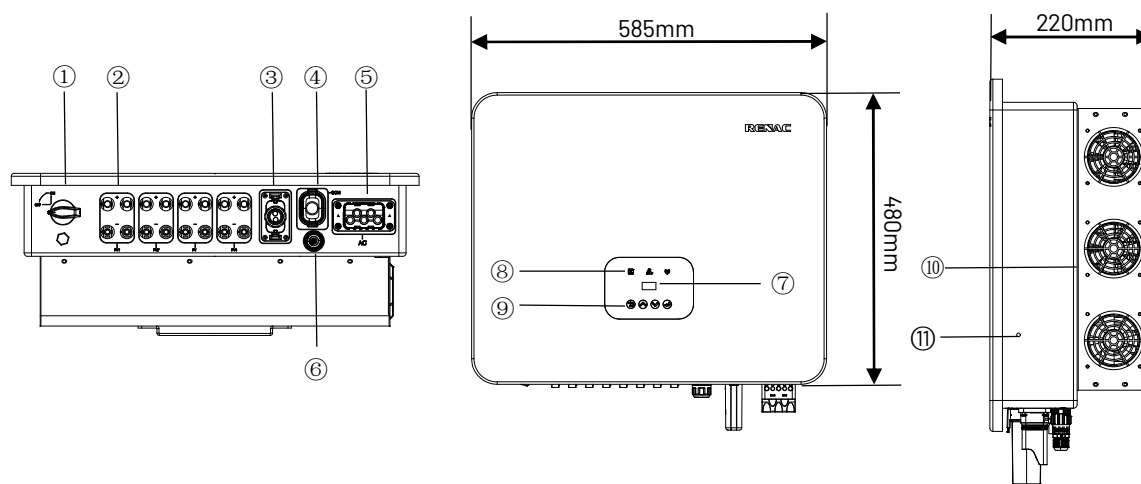


Figure 2-1 Outline dimensions

No.	Name	No.	Name
1	DC Switch	2	DC (PV terminals)
3	I / O port	4	Communication port
5	AC terminal	6	RCR port (Europe Standard)
7	LCD	8	LED (Run / Fault)
9	Key	10	Fans
11	Ground terminal		



For safety reasons, the use of a DC switch is recommended. Between the PV modules and the power modules may be mandatory in some countries

### 2.2 Electrical system design

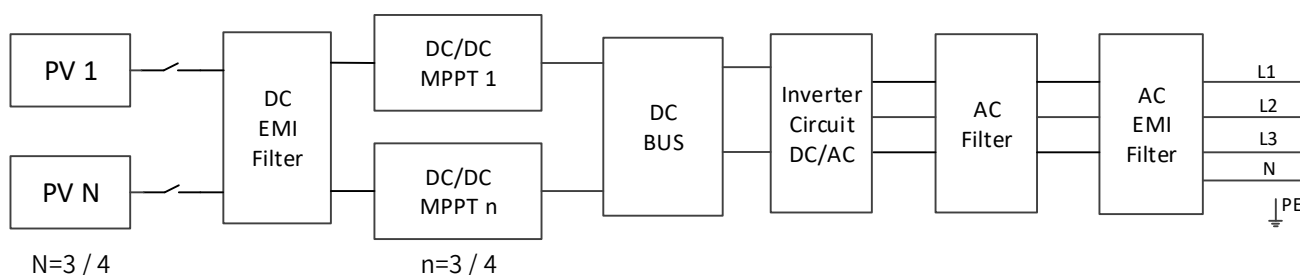


Figure 2-2 Block diagram of the inverter system

## 2.3 Technical data

Model	R3-30K	R3-36K	R3-40K	R3-50K
<b>PV Input</b>				
Recommended Max. PV Power [Wp]	45000	54000	60000	75000
Max. PV Power for Single MPPT [Wp]	20000	20000	20000	20000
Max. PV Input Voltage [V]	1100			
MPPT Voltage Range [V]	180 ~ 1000			
Rated Input Voltage [V]	600			
Start-up Voltage [V]	200			
No. of MPP Trackers	3	3	4	4
No. of Input Strings per Tracker	2 / 2 / 2	2 / 2 / 2	2 / 2 / 2 / 2	2 / 2 / 2 / 2
Max. Input Current per MPPT [A]	40 / 40 / 40	40 / 40 / 40	40 / 40 / 40 / 40	40 / 40 / 40 / 40
Max. Short-circuit Current per MPPT [A]	50 / 50 / 50	50 / 50 / 50	50 / 50 / 50 / 50	50 / 50 / 50 / 50
Max. backfeed current to the array [A]	0			
<b>AC Output</b>				
Rated AC Power [W]	30000	36000	40000	50000
Max. Output Power [VA]	33000	39600	44000	55000
Rated AC Voltage / Range [V]	3 / N / PE, 380, 400; ±20%			
Grid Frequency / Range [Hz]	50 / 60 ; ±5			
Max. AC Current [A]	50	60	66.6	83.3
Max. Output Fault Current (Peak and Duration) (A)	250 (8μs)			
Inrush Current (Peak and Duration) (A)	50 (3ms)			
Maximum Output Overcurrent Protection (A)	169			
Adjustable Power Factor [cosφ]	0.8 leading ~ 0.8 lagging			
Output THDi [@Rated Output]	< 3%			
<b>Efficiency</b>				
Max. Efficiency	98.6%	98.8%	98.8%	98.8%
Euro Efficiency	97.8%	98.0%	98.0%	98.0%
<b>Protection</b>				
DC Switch	Integrated			
DC Insulation Monitoring	Integrated			
Input Reverse Polarity Protection	Integrated			
Anti-island Protection	Integrated			
Residual Current Monitoring	Integrated			
AC Overcurrent Protection	Integrated			
AC Short-circuit Protection	Integrated			
Arc fault circuit interrupter (AFCI)	Optional			
Potential induced degradation (PID) recovery function	Optional			
DC Surge Protection	Integrated (Type II)			

Model	R3-30K	R3-36K	R3-40K	R3-50K
AC Surge Protection	Integrated (Type II)			
<b>General Data</b>				
Dimensions (W * H * D) [mm]	585 * 480 * 220			
Weight [kg]	37			
Display	LED + OLED			
Communication	RS485, USB Upgrade, Optional: WiFi, 4G, Ethernet			
Ambient Temperature Range [°C]	-25 ~ +60			
Relative Humidity	0 ~ 100%			
Operating Altitude [m]	≤ 2000			
Night Self-consumption [W]	< 1			
Topology	Transformerless			
Cooling	Fan			
Enclosure	IP65			
Pollution Degree	III			
Overvoltage Category	DC II / AC III			
Protective class	I			
<b>Certifications &amp; Standards</b>				
Grid Regulation	NB/T 32004, ORDINANCE No.140, EN50549-1, EN50549-PL, EN50549-CZ, EN50549-GR, UNE217002/RD647, IEC61727/IEC62116, VDE0126, VDE4105			
Safety Regulation	EN 62919-1, EN 62619-2			
EMC	EN IEC 61000-6-1, EN IEC 61000-6-3, IEC 62920			



## 2.4 Grid codes

No.	National/Regional Grid Code	Description
0	VDE4105-DE	Germany power Grid, meet Grid standards "VDE-AR-N-4105".
1	CEI0-21	Italy power Grid.
2	Australia A	Australia A power Grid.
3	RD1699	Spain power Grid.
4	EN50549	Default EN50549 Grid setting.
5	EN50549-DK-W	West Denmark power Grid.
6	Greece	Greece power Grid.
7	EN50549-NL	Netherland power Grid.
8	C10/11	Belgium power Grid.
9	G99	UK power Grid.
10	China	China power Grid, meet Grid standards "CN-NBT".
11	VDE0126-FR	France power Grid, meet Grid standards "VDE 0126".
12	EN50549-PL	Poland power Grid.
13	Brazil-180s	Brazil power Grid, connect/reconnect time 180s.
14	VDE0126-DE	Germany power Grid, meet Grid standards "VDE 0126".
15	CEI0-16	Italy power Grid, meet Grid standards "CEI0-16".
16	G98	UK power Grid.
17	Greece Island	Greece Island power Grid.

No.	National/Regional Grid Code	Description
18	EN50549-CZ	Czech Republic power Grid.
19	IEC61727-IN	India power Grid.
20	Korea	Korea power Grid.
21	EN50549-SW	Sweden power Grid.
22	China-W	China power Grid, Grid voltage range: 160-264.5V. Grid frequency range: 47-52Hz.
23	China-H	China power Grid. Grid voltage range: 160-280V.
24	IEC61727-IN-W	India power Grid. Grid voltage range: 195.5-280V.
25	Brazil	Brazil power Grid, meet Grid standards "NBT 16150".
26	IEC61727-SL	Sri Lanka power Grid, meet Grid standards "IEC61727".
27	Mexico	Mexico power Grid, meet Grid standards "IEC61727 60Hz".
28	New Zealand	New Zealand power Grid.
29	Philippines	Philippines power Grid, meet Grid standards "IEC61727 60Hz".
30	IEC61727-SL-W	Sri Lanka power Grid, Grid voltage range: 160-280V. Grid frequency range: 47-52Hz.
31	PEA	Thailand power Grid.
32	PEA-W	Thailand power Grid. Grid voltage range: 160-280V. Grid frequency range: 47-52Hz.
33	IEC61627-VN	Vietnam power Grid.
34	IEC61627-VN-W	Vietnam power Grid. Grid voltage range: 160-280V. Grid frequency range: 47-52Hz.
35	Tunisia	Tunisia.
36	MEA	Thailand power Grid.
37	MEA-W	Thailand power Grid. Grid voltage range: 160-280V. Grid frequency range: 47-52Hz.
38	Brazil-LV	120V 60Hz voltage of grid L to N (R3-10-15K-LV only, others reserved).
39	EN50549-DK-E	East Denmark power Grid.
40	Tunisia-W	Tunisia wide range. Grid voltage range: 160-290V.
41	Chile	Chile Power Grid.
42	Brazil-W	Brazil power Grid. Grid voltage range: 160-290V.
43	EN50549-PL-W	Poland power Grid. Grid voltage range: 160-290V.
44	Brazil-180s-W	Brazil power Grid. Grid voltage range: 160-290V.
45	UNE217002-ES	Spain power Grid.
46	G98-NI	G98 for Northern Ireland.
47	G99-NI	G99 for Northern Ireland.
48	EN50549-NW	Norway-400VLine
49	EN50549-NW-LV	Norway-230VLine-R3-10-15K-LV only, others reserved.
50	IEC61727-LV	133V 50Hz, low voltage power grid.
51	EN50549-IR*/	Ireland power Grid.
52	Austria	Austria power Grid.
53	Australia B	Australia B power Grid.
54	Australia C	Australia C power Grid.

No.	National/Regional Grid Code	Description
55	EN50549-SIST	Slovenia Grid.
56	EN50549-HUN	Hungary Grid.
57	Pakistan	Pakistan Grid.

### 3. Installation and startup

	<p><b>WARNING!</b></p> <p>Before installation and maintenance, AC and DC side doesn't carry electricity, but if DC side is just disconnected, capacitance still contains electricity, so please wait for at least 5 minutes to ensure the capacitors completely release the energy and inverter is not electrified.</p>
	<p><b>NOTE!</b></p> <p>Inverters must be installed by qualified person.</p>

#### 3.1 Package information


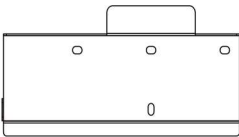
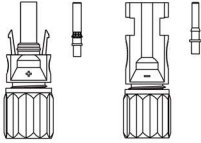

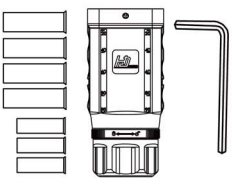

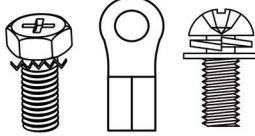
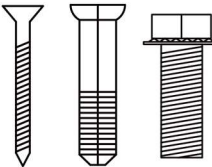


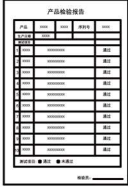
 Inverter * 1	 Mounting Panel * 1	 PV cable terminal (-) with a corrugated pipe * 2 ① PV cable terminal (+) with a corrugated pipe * 2	 RCR Terminal (Eur. Standard) * 1
 AC terminal & related accessories * 1	 4G / WIFI / Ethernet (OPT)	 Ground OT terminal & Ground screw & Fastening screw*1	 Expansion Screw Pack * 1
 User Manual* 1	 Quality Certificate * 1	 Factory Report * 1	

Figure 3-1 Package information

① There are 6 PV+ cable terminals for R3-30K/36K; There are 8 PV+ cable terminals for R3-40K/50K.  
 There are 6 PV- cable terminals for R3-30K/36K; There are 8 PV- cable terminals for R3-40K/50K.

### 3.2 Installation environment

- 1) In order to achieve optimal performance, the ambient temperature should be kept lower than 45 °C.
- 2) For the convenience of checking the LCD display and possible maintenance activities, please install the inverter at eye level.
- 3) Inverters should NOT be installed near inflammable or explosive items. Any strong electro-magnetic equipment should be kept away from installation site.
- 4) Product label and warning symbol shall be clear to read after installation.
- 5) Please do not install inverter under direct sunlight, rain and snow.

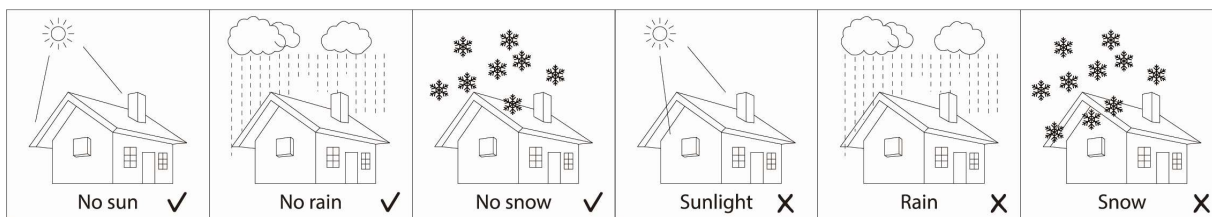


Figure 3-2 Installation environment

### 3.3 Installation position



- 1) The installation method and mounting location must be suitable for the inverter's weight and dimensions.
- 2) Mount on a solid surface.
- 3) Select a well-ventilated place sheltered from direct sun radiation.

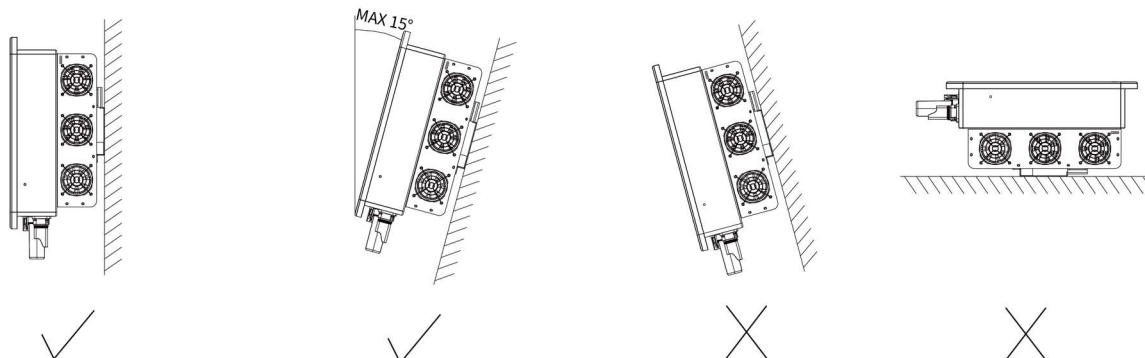


Figure 3-3 Installation position

In consideration of heat dissipation and convenient dismantlement, the minimum clearances around the inverter should be no less than the following value.

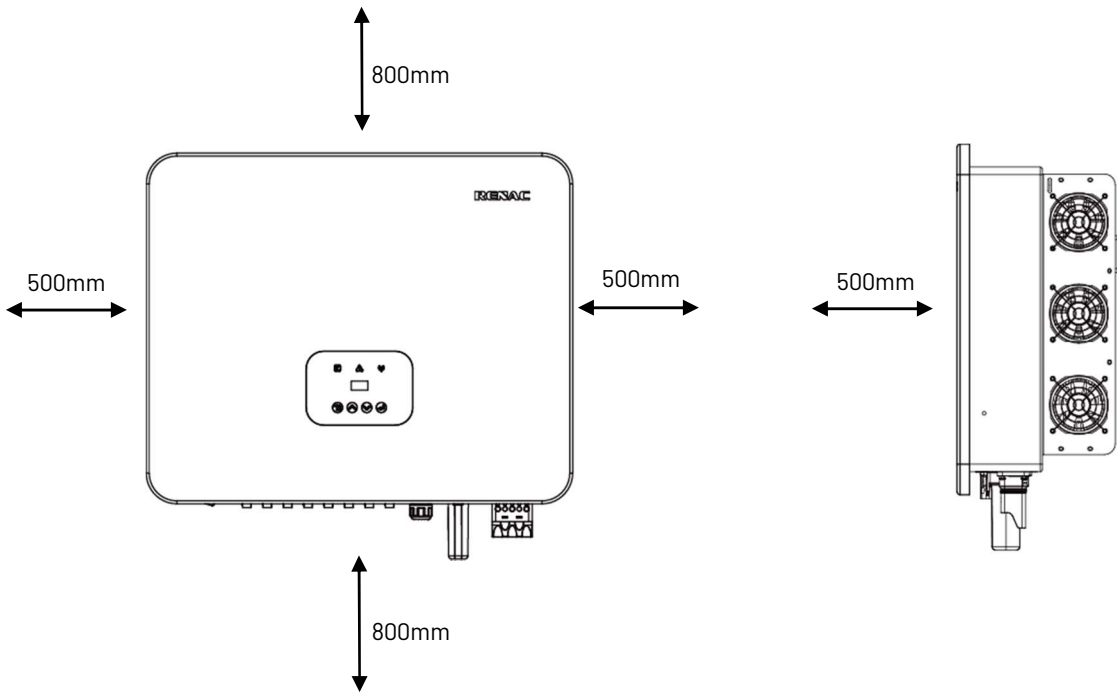


Figure 3-4 Distance required of Invertors

### 3.4 Mounting procedure

1. Drill 4 Fix  $\Phi 11$  holes in the wall according to the dimensions.

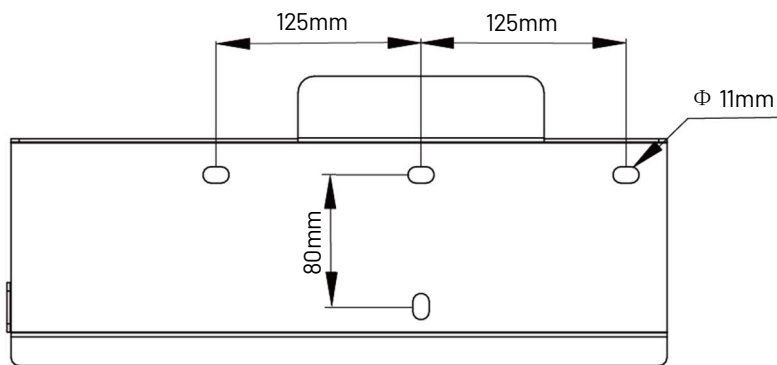


Figure 3-5

2. Fix the wall mounting bracket on the wall with 4 expansion bolts in accessory bag.

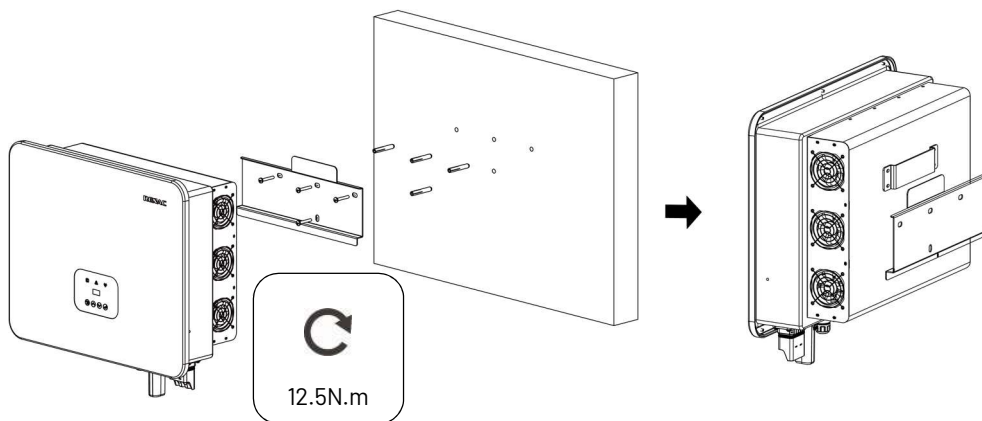


Figure 3-6

3. Place the inverter on the wall-mounted bracket and install the fix screw.

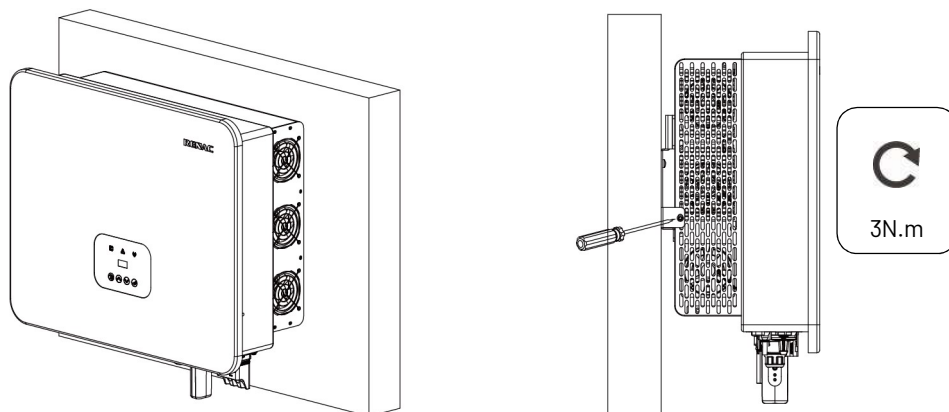


Figure 3-7 Mounting the inverter

### 3.5 Electrical connection

#### 3.5.1 Earth connection

One can additionally earth the inverter enclosure of a second earthed or equipotential bonding, which is required under local regulations. This prevents touch current if the original protective conductor fails.

Cable size: 4mm<sup>2</sup>

Connection steps:

Strip the earthed cable insulation.

Insert the stripped cable into the ring terminal.

Clamp the end of the ring terminal.

Unscrew the screw of the earthed connector.

Insert the ring terminal on the earthed connector.

Fix the gasket on the earthed connector.

Tighten the screw of the earthed connector.

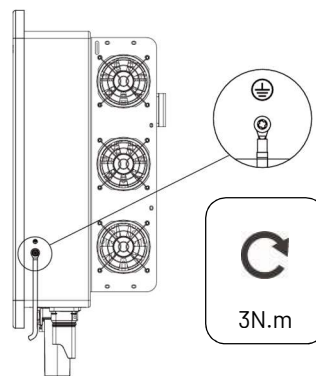


Figure 3-8

#### 3.5.2 Connection to the grid (AC output)



- 1) Add breaker or fuse to AC side, the specification should be more than 1.25 times of rated AC output current.
  - 2) The PE line of inverter should be connected to the earth, make sure the impedance of neutral wire and earth wire less than 10 ohm.
  - 3) Disconnect the breaker or fuse between the inverter and the utility.
  - 4) All inverters incorporate a certified internal Residual Current Device (RCD) in order to protect against possible electrocution and fire hazard in case of a malfunction in the PV array, cables or inverter.
- There are 2 trip thresholds for the RCD as required for certification (IEC 62109-2:2011). The default value for electrocution protection is 30mA, and for slow rising current is 300mA.

Connect the inverter to the grid as follows:

1. Strip off L1/L2/L3/N/PE cables.

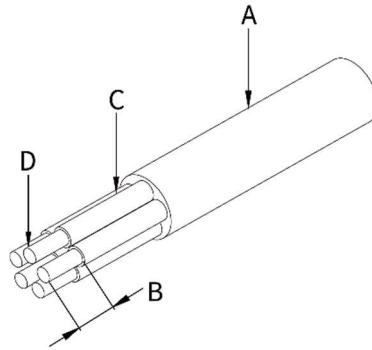


Figure 3-9 Strip off N/L1/L2/L3 cables

No.	Description	Remark
A	Protective layer	Diameter ranges : 15-25mm
B	Length of stripped off	16mm
C	Insulate layer	50mm
D	Cross section of ac cables	16-25mm <sup>2</sup>

2. Crimp L1/L2/L3/N/PE cables as figure:

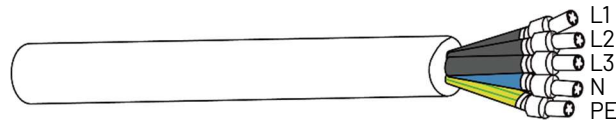


Figure 3-10

3. Pass the crimped AC wire into the AC terminal.

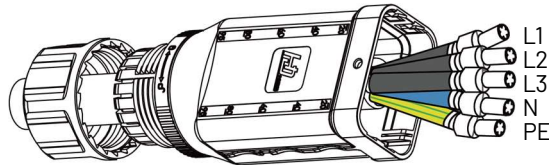


Figure 3-11

4. The cables are inserted into the terminal according to the wire sequence (L1/L2/L3/N/PE), so that the insulating terminal is flush with the surface of the terminal, and the crimping screw torque is 4.0+0.1N.m.

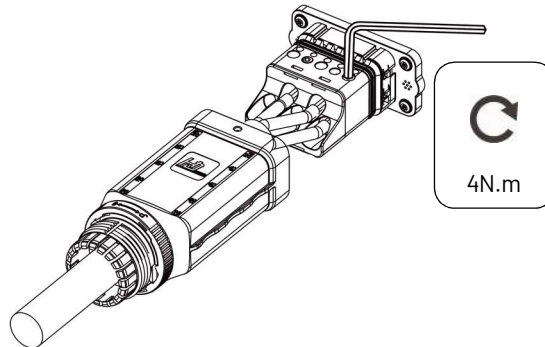


Figure 3-12

5. Insert the main part of AC terminal into the terminal and hear a "click" sound.

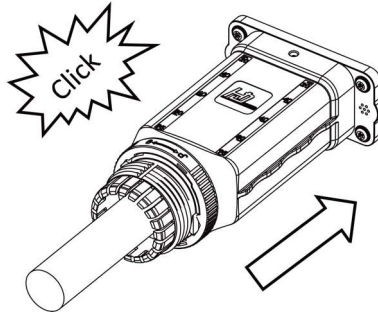


Figure 3-13

6. Use a wrench to tighten the nut, and there is a "click" sound.

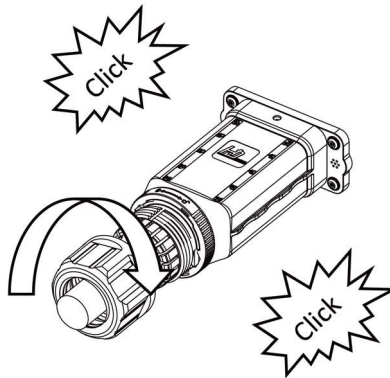


Figure 3-14

7) Complete the installation.

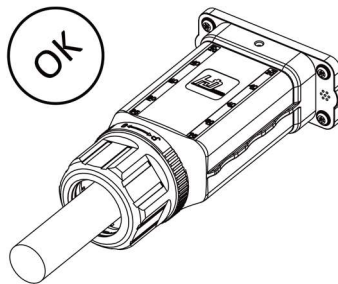


Figure 3-15

**Disassembly the inverter from the Grid:**

1. Hold the unlocking buckle with one hand and rotate it in the direction of the mark, and turn the nut in the opposite direction.

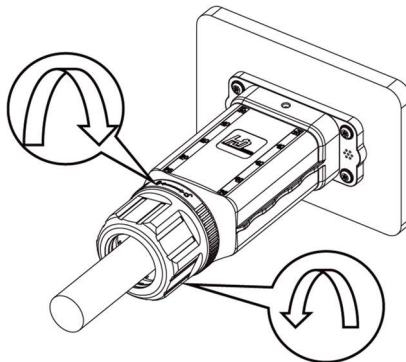


Figure 3-16

2. Use a screwdriver to press against the unlocked position and hold the wire nut and pull it back to complete the separation of the male and female ends.

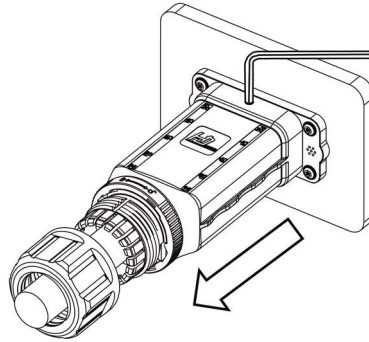


Figure 3-17

**3.5.3 Connection to PV string (DC input)**



- 1) Before connecting PV string, make sure DC switch is turned off.
- 2) Make sure PV string polarity confirms with DC connector, otherwise, it will cause damage to inverter.
- 3) Make sure the maximum open circuit voltage ( $V_{oc}$ ) of each PV string does not exceed the inverter input voltage  $V_{max}$  under any condition.
- 4) Do not connect positive or negative pole of PV string to earth wire. Otherwise, it will cause damage to inverter.

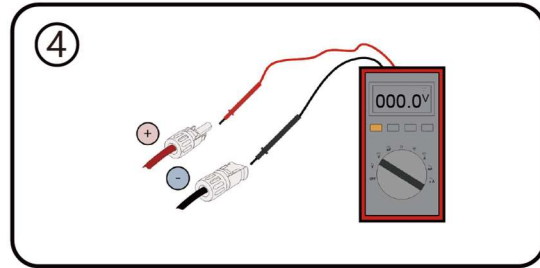
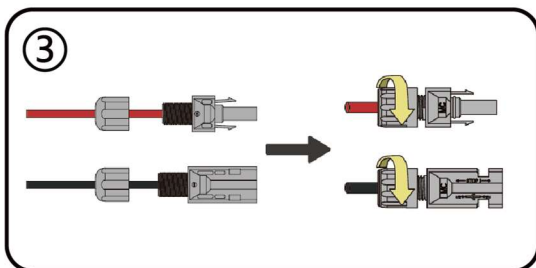
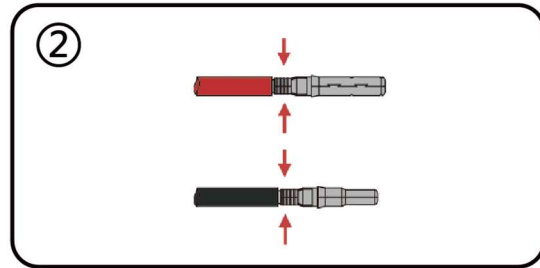
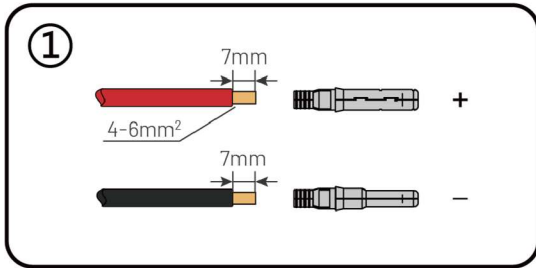
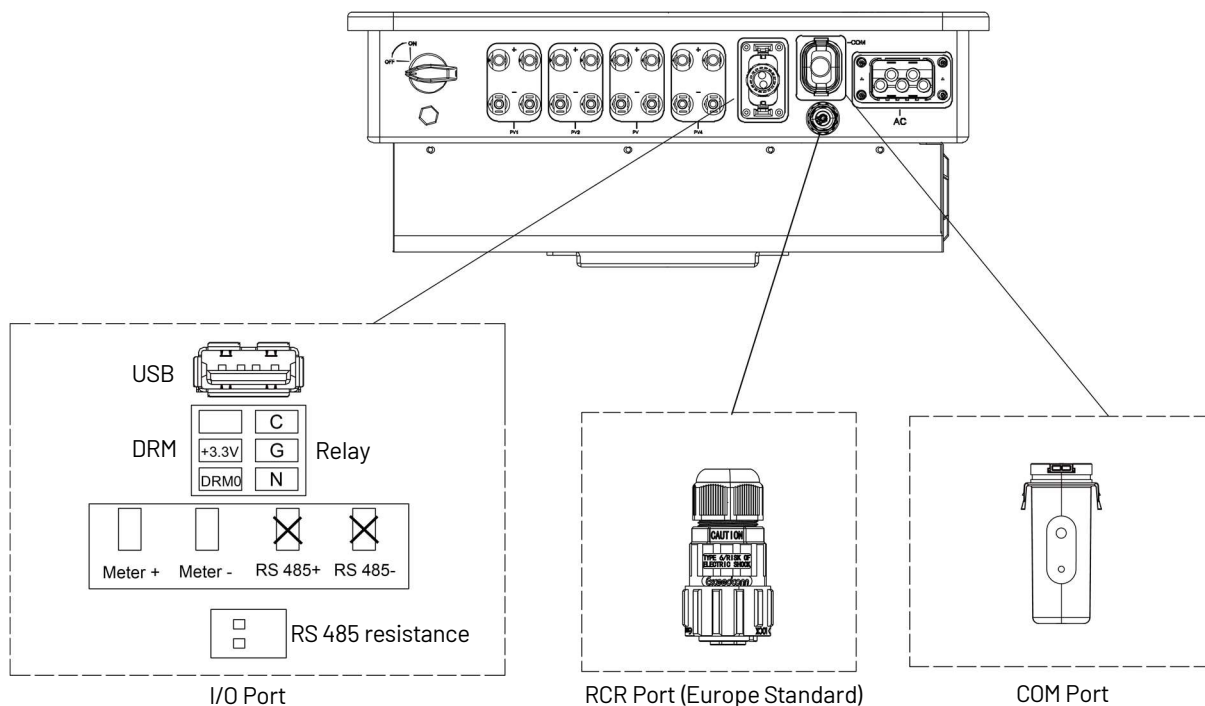


Figure 3-18 PV connection

### 3.6 Communication



Note: The RS485 resistance does not need to be changed.

Figure 3-19 Communication connection

### 3.7 RCR Port (Europe Standard)

In Europe, the grid company uses the Ripple Control Receiver (RCR) to convert the grid dispatching signal and send it as a dry contact signal. The wiring of the ripple control receiver dry contact cables is shown in the figure below.

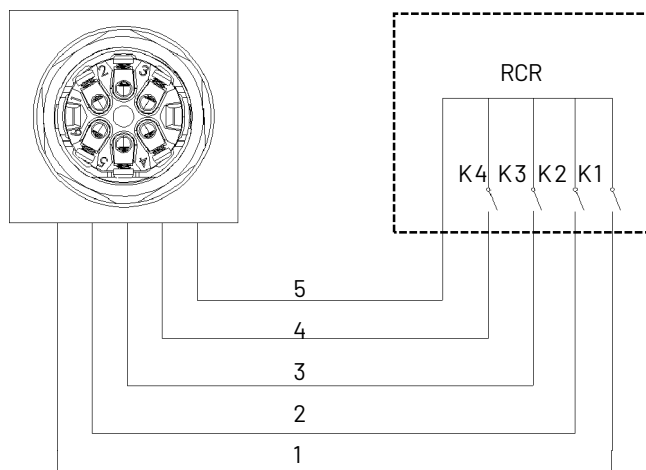


Figure 3-20

K1	K2	K3	K4	Switch Operation on External RCR	Output power (in % of the Rated AC output power)
1	0	0	0	Close K1	100%
0	1	0	0	Close K2	60%
0	0	1	0	Close K3	30%
0	0	0	1	Close K4	0%

**Connect to the RCR port:**

1. Strip five cables, and the diameter of the stripped cables cannot exceed 3mm.
2. Crimp the five cables.

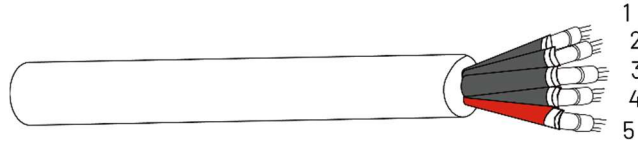


Figure 3-21

3. Pass the crimped wire into the RCR connector.

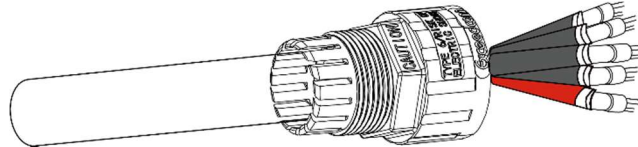


Figure 3-22

4. The cables are inserted into the terminal according to the wire sequence (K1/K2/K3/K4/+3,3V), so that the insulating terminal is flush with the surface of the terminal, and the crimping screw torque is 0.2N.m.

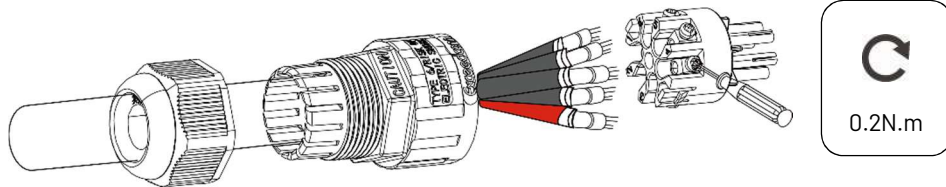


Figure 3-23

5. Insert the terminal block into the male head, and there is a "click" sound.

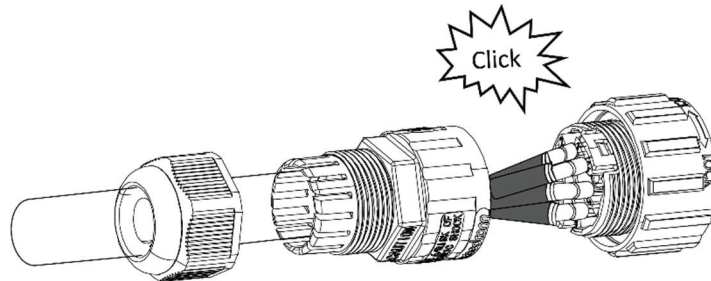


Figure 3-24

6. Use a wrench to tighten the nut.

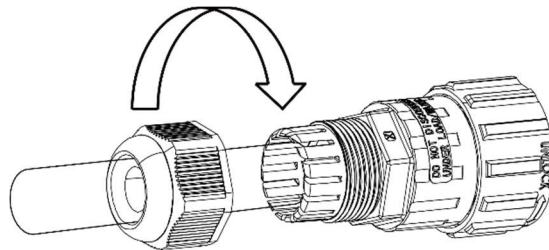


Figure 3-25

7. Screw the male head into the female and complete the installation.

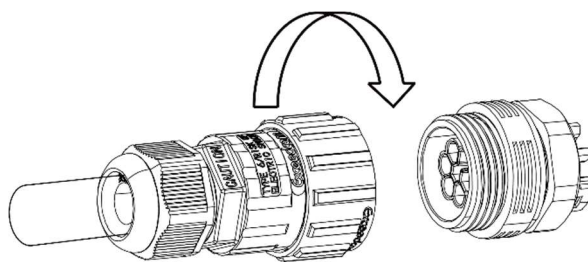


Figure 3-26

### 3.8 COM Port

Connect the WIFI / 4G / Ethernet module to the COM port of the inverter. After the connection is successful, you can view the inverter power generation, operation status and other information through the mobile phone app. Please refer to the user manual of WIFI / 4G / Ethernet module for details.

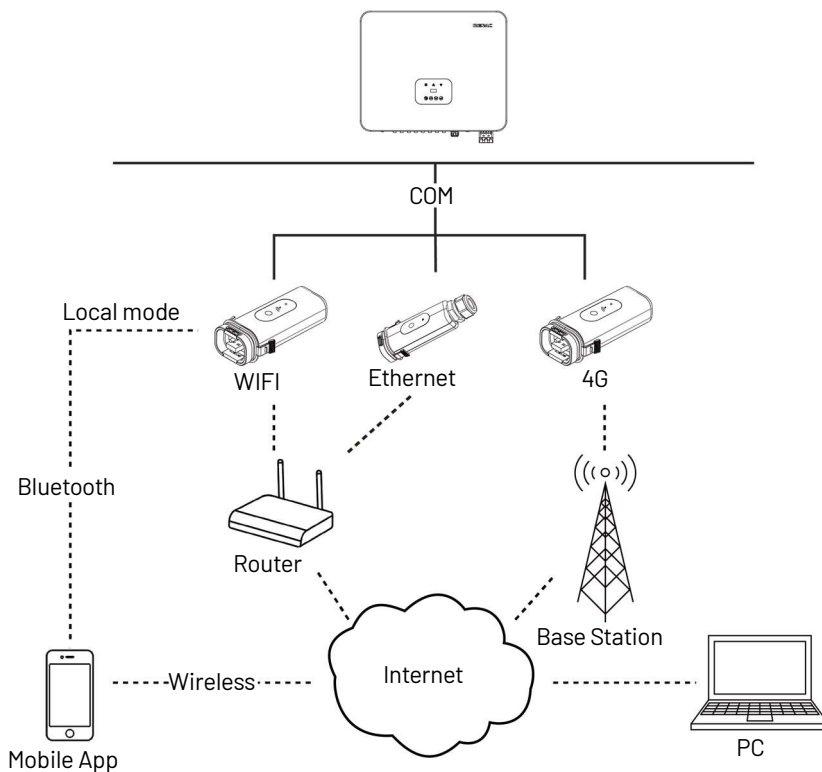


Figure 3-27

### 3.9 USB Port

Insert a USB flash disk for local software upgrade. Please contact after-sales personnel for details.

### 3.10 Meter connection

Renac R3 30-50kW series inverter has the function of anti-reverse current, which can control the power exported to the grid by connecting an intelligent electricity meter.

Note: The arrow on the CT must point to the load.

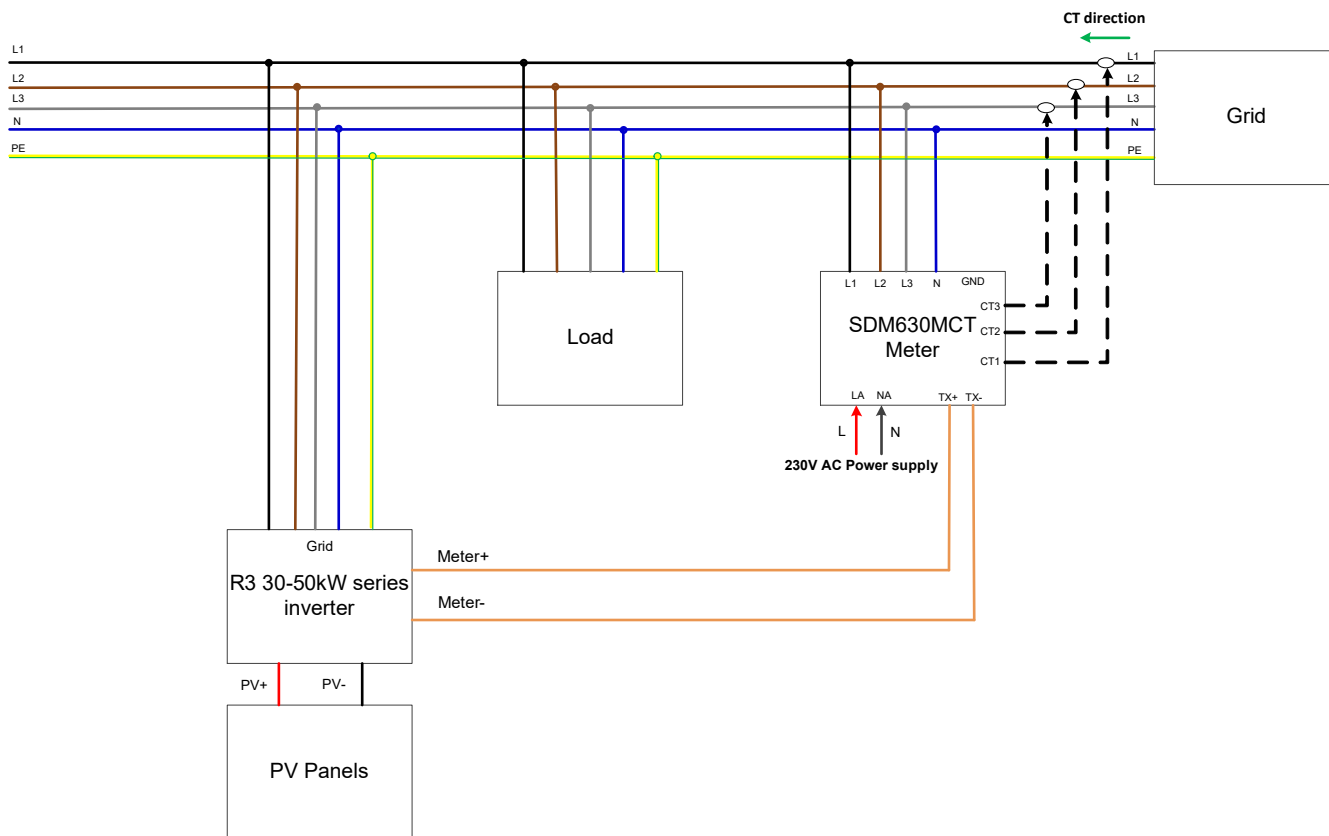


Figure 3-28



The meter communication port needs to be connected correctly, otherwise it will not be able to communicate.

### 3.11 RS485 connection

(1) Single inverter communication system:

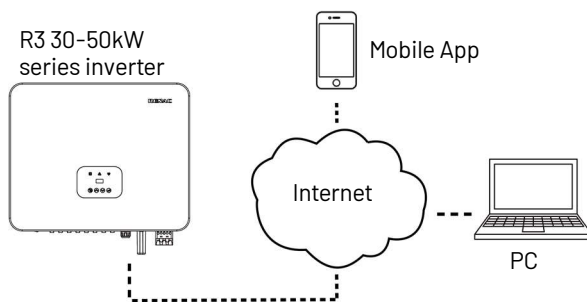


Figure 3-29

The R3 30-50kW series inverter can upload data to Mobile App and cloud platform through the collection module. Please refer to the ST-WIF-G2 User Manual in detail.

(2) Multi-inverter communication system:

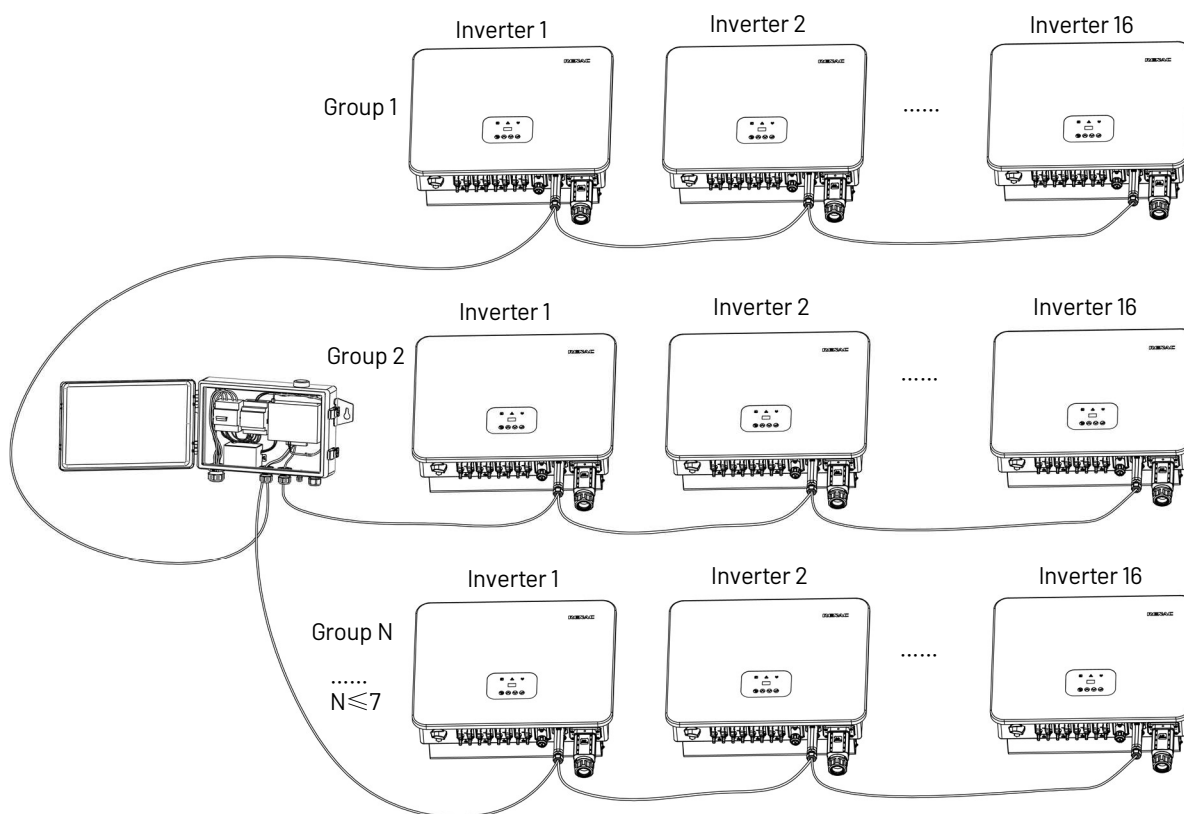


Figure 3-30

In a large power plant, the EMB-100 (Optional) enables the networking of 112 inverters and it has monitoring and export limit function. The EMB-100 (Optional) and the tools for connecting the inverters to each other need to be purchased separately. See the EMB-100 User Manual for details.

### 3.12 AFCI function (Optional)

The AFCI function involves the DC arc fault alarm.

The inverter has an automatic clearance mechanism for the AFCI alarm. If an alarm is triggered less than five times within 24 hours, the inverter automatically clears the alarm. If the alarm is triggered five times or more within 24 hours, you need to manually clear the alarm on the inverter so that it can work properly. See section 5.2.12 AFCI setting for details.

AFPEs and AFDs may be designed in many different ways. The following table defines the classification rules.

Protection coverage	Method of implementation	Functionality	Monitored strings	Input ports	Monitored channels
1. Full coverage (F)	1. Integrated (I)	1. AFPE	Number of strings	Number of input ports	Number of monitored channels
2. Partial coverage (P)	2. Stand-alone (S)	2. AFD			
	3. Distributed (D)				

Following the table, R3 30-36kW series inverter can be characterized by F-I-AFPE-1-2-3, which means an integrated AFPE providing full coverage for 1 monitored string with 2 input port and 3 monitored channel; and R3 40-50kW series inverter can be characterized by F-I-AFPE-1-2-4, which means an integrated AFPE providing full coverage for 1 monitored string with 2 input port and 4 monitored channel.

## 4. Commissioning

### 4.1 Check before operation

- 1) Three phases of five wires (PE/L1/L2/L3/N) cable correctly connected to the inverter AC side through the AC circuit breaker;
- 2) The DC cable is connected correctly to the inverter DC side through the DC circuit breaker. Please pay attention to the cable connected to the string correctly and its polarity;
- 3) The unused terminals are covered.

### 4.2 Power on

- 1) Turn on the AC circuit breaker between the inverter and the grid;
- 2) Turn on the DC switch on the inverter;
- 3) If the PV panels provide enough energy, the power module will work, and the LCD panel will be lit;
- 4) If you are starting the inverter for the first time, the inverter needs to be commissioned. For example, language, time, etc.
- 5) Then the inverter will turn into self-check mode, and the LCD panel will display the remaining time of connection simultaneously;
- 6) After the inverter turns into normal mode, it feeds electrical energy into the grid, and the LCD panel will display the generated electrical energy.

As long as the inverter works, it will automatically track the maximum power point to absorb the maximum energy from solar. When night comes, the irradiance is not strong enough to provide energy, and the inverter will power off automatically. When the next day comes, the input voltage reaches the start value, and it will start again automatically.

## 5. User interface

### 5.1 Led and key

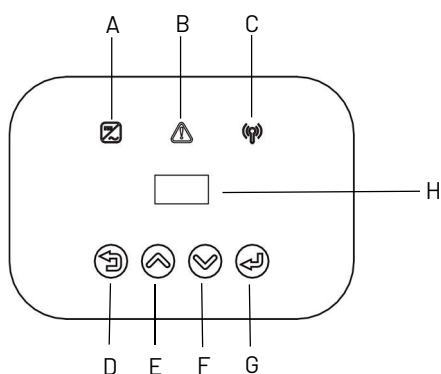
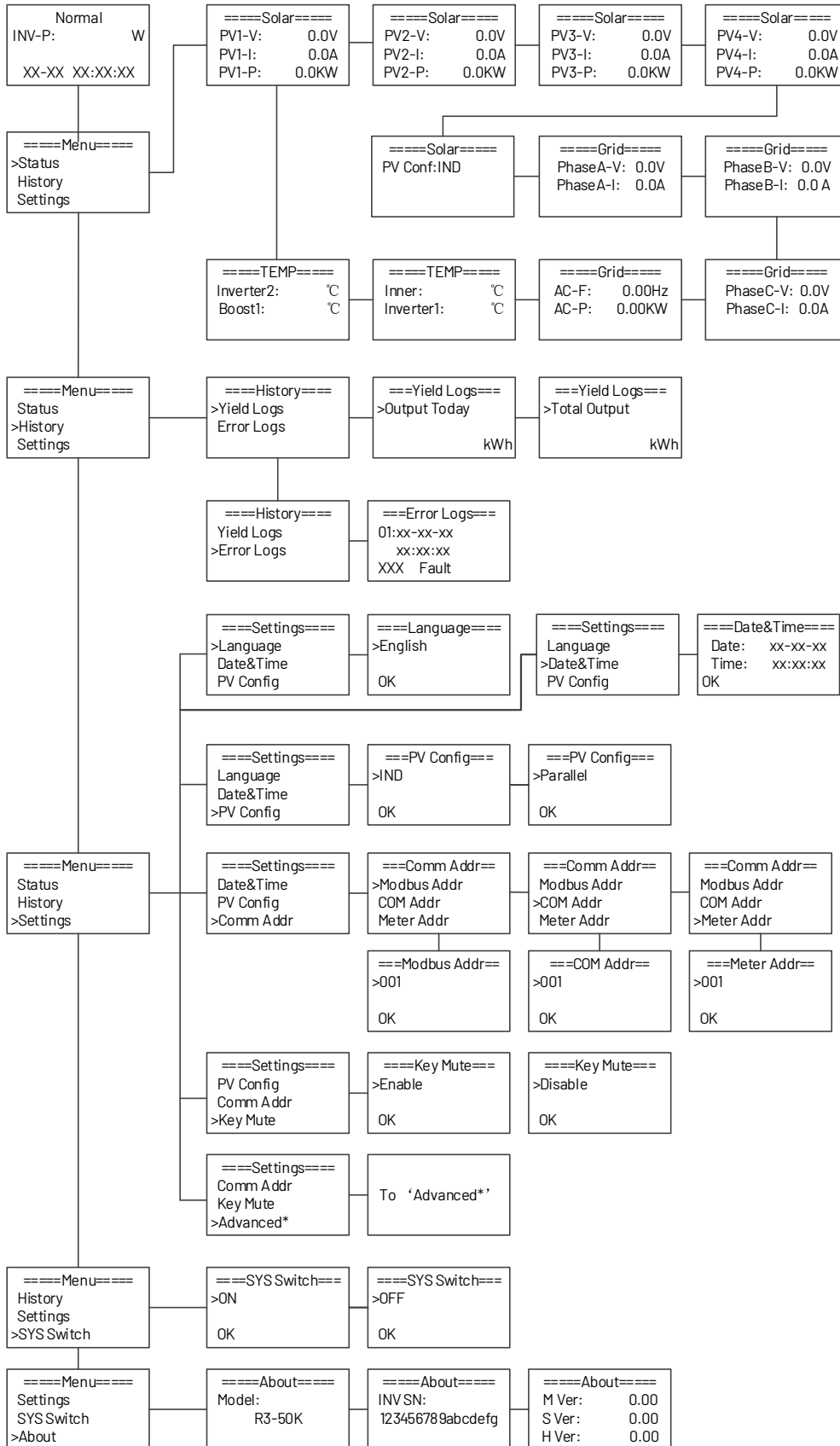


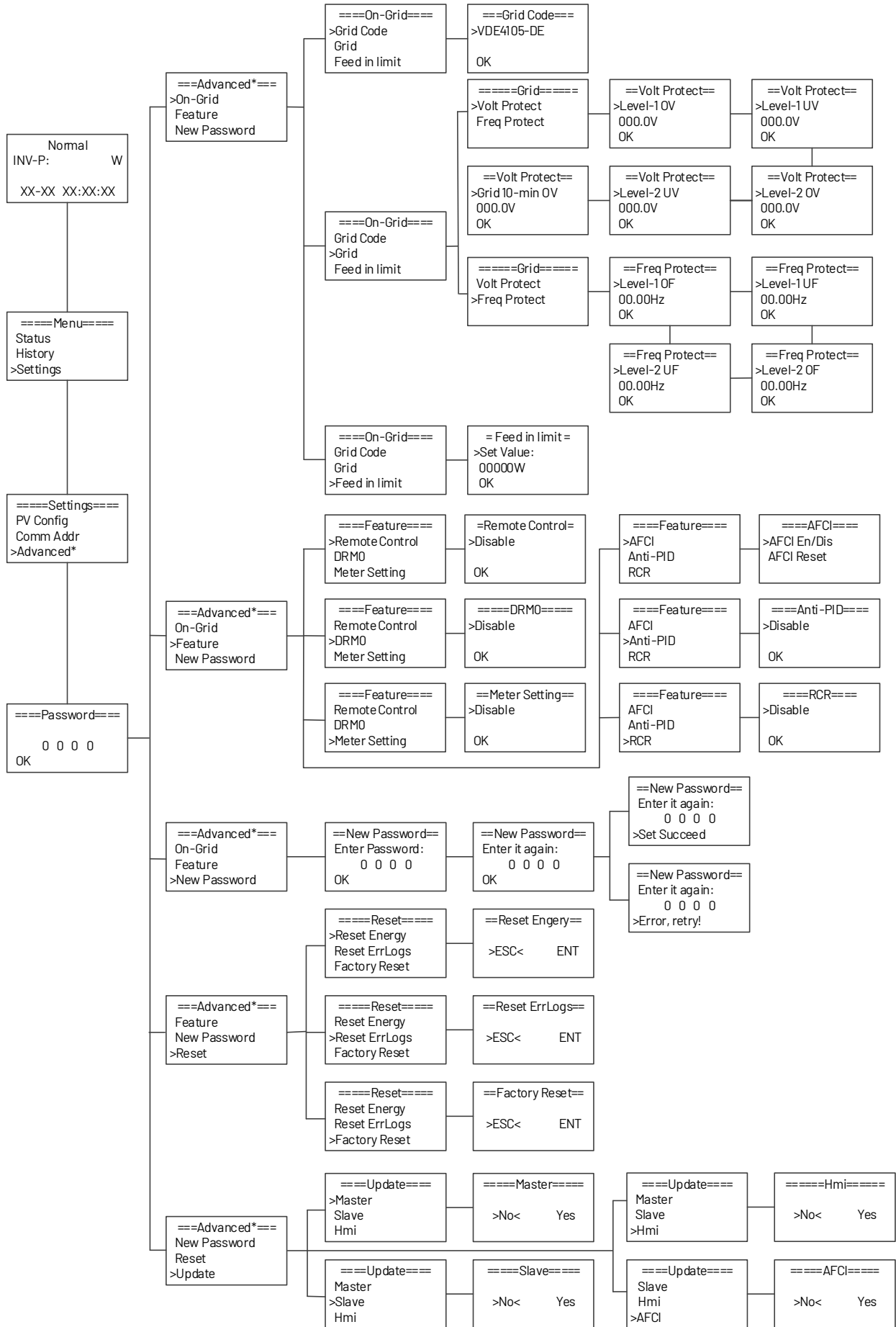
Figure 5-1 LED display

No.	Name	Description	
A	Green indicator	On	The inverter has connected to the grid and is operating normally.
		Blinking	1. The inverter is powered on and in the waiting stage. 2. The inverter is performing self-check.
		Off	Fault condition is detected.
B	Red indicator	On	Fault condition is detected.
		Off	The inverter is operating without fault.
C	Yellow indicator	On	Communication between WIFI module and the inverter is normal.
		Blinking	No network with WIFI dongle connected to the inverter.
		Off	No communication between WIFI module and the inverter.
D	ESC button	Leave from current interface or function.	
E	Up button	Move cursor to upside or increase value.	
F	Down button	Move cursor to downside or decrease value.	
G	OK button	Press the button to confirm the selection.	
H	LCD Screen	Display the information of the inverter.	

## 5.2 LCD display

Mean Structure:

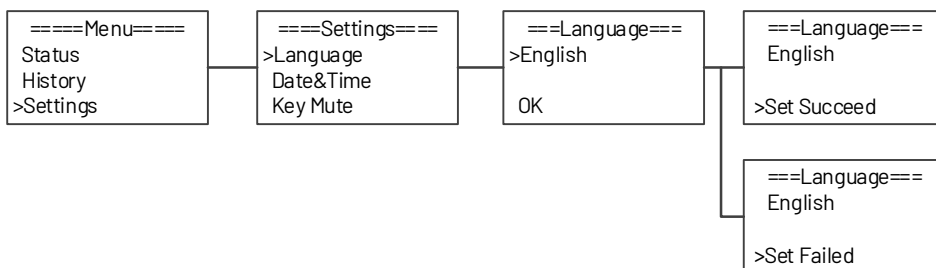




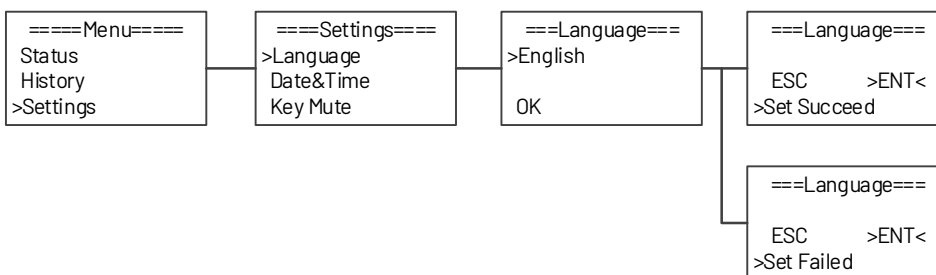
### 5.2.1 Setting

There are two types of confirmation in the setting function.

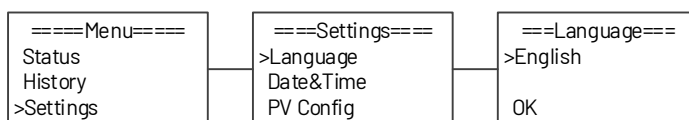
1. Press and hold the OK button for 2~3 seconds to confirm the selection. If the setting is successful, 'Set Succeed' will be displayed below; if the setting fails, 'Set Failed' will be displayed below. When 'Set Succeed' or 'Set Failed' appears below, you can press ESC button to return or press the OK button briefly to re-select. Take setting the language as an example.



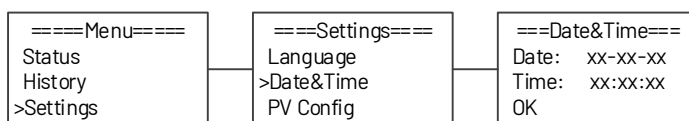
2. Press the OK button briefly to enter the second confirmation interface; users need to select 'ENT' to confirm formally. If the setting is successful, 'Set Succeed' will be displayed below, and the page will automatically return to the previous page in a while; if the setting fails, 'Set Failed' will be displayed below, and the page will be fixed, and the user will need to press the ESC button to return to the previous page. Take setting the language as an example.



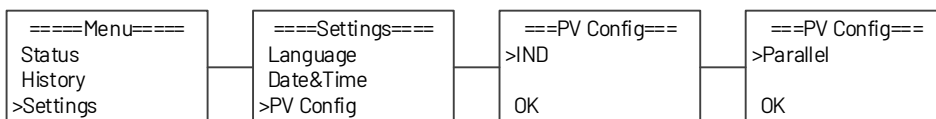
### 5.2.2 Language setting



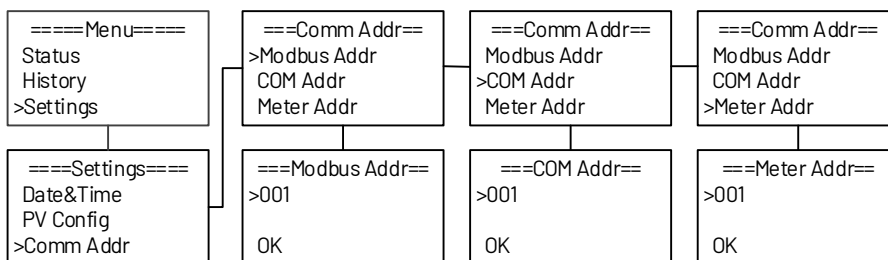
### 5.2.3 Date and time setting



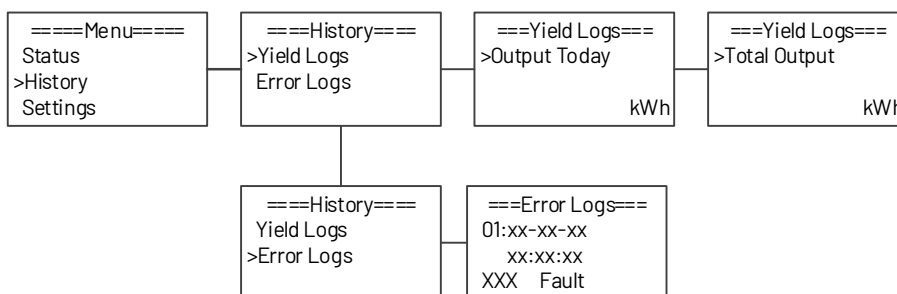
### 5.2.4 PV configuration setting



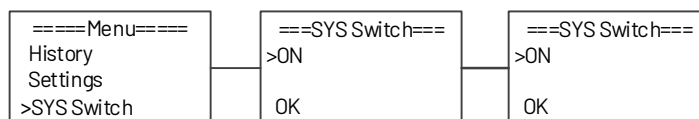
### 5.2.5 Communication address setting



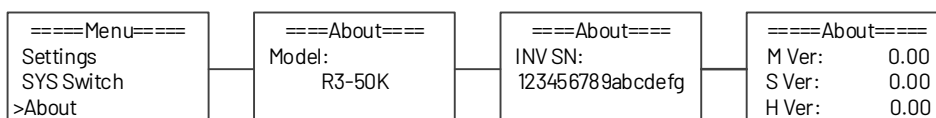
### 5.2.6 Checking error logs



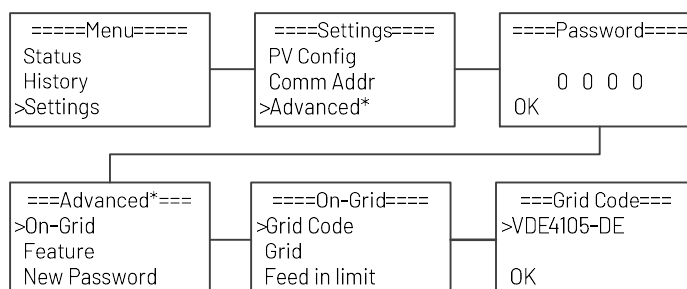
### 5.2.7 System switch setting



### 5.2.8 Inverter information checking

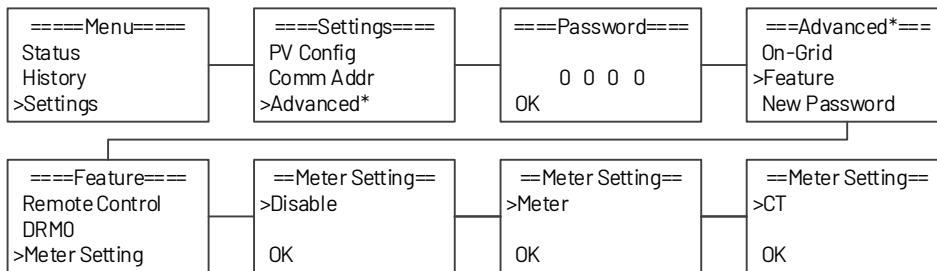


### 5.2.9 Grid code setting

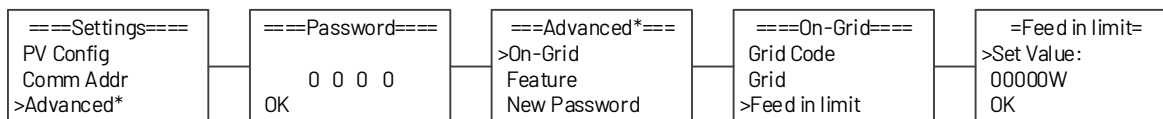


### 5.2.10 Feed in limit (CT) setting

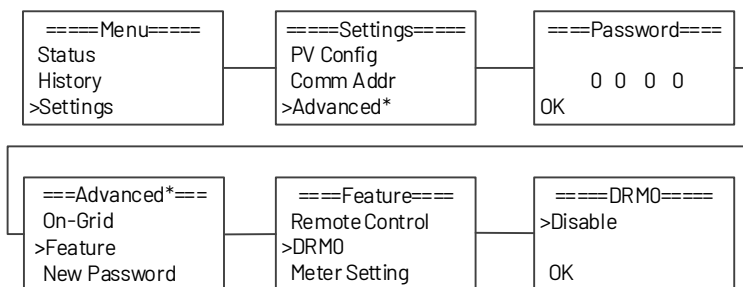
Step1:



Step2:

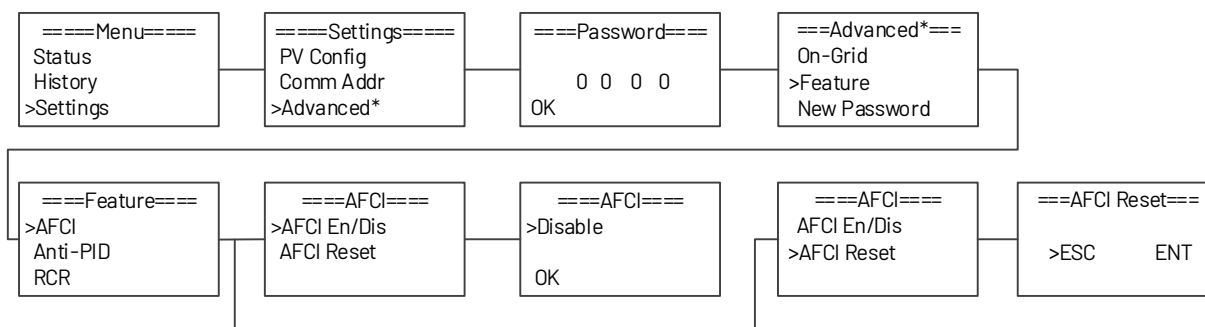


### 5.2.11 DRMO setting

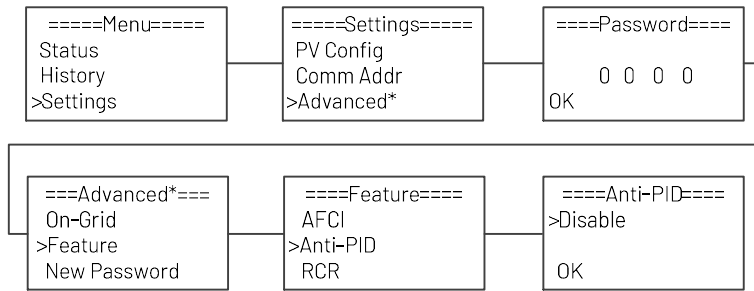


### 5.2.12 AFCI setting

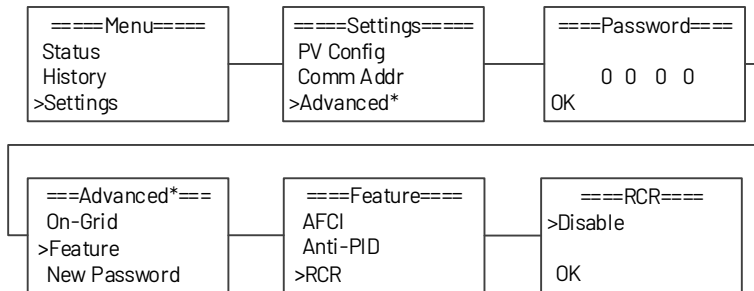
To enable the AFCI function, you need to set it up. When electric arcs occur, the inverter will alarm and lock out to provide protection. You need to manually clear the alarm on the inverter so that it can work properly.



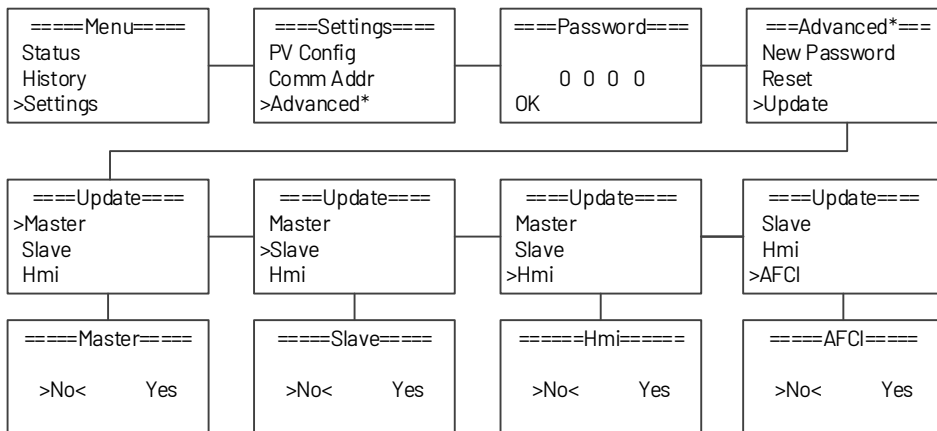
5.2.13 PID setting



5.2.14 RCR setting

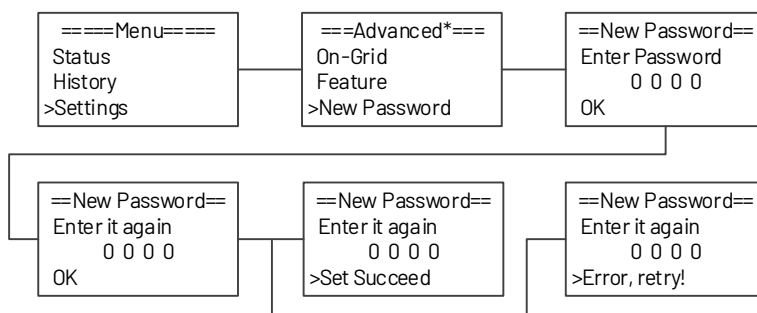


5.2.15 Software update

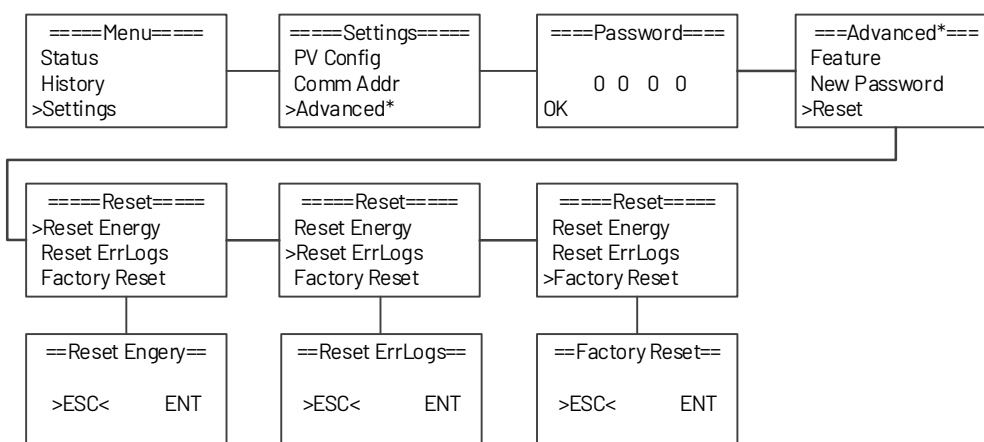


- Step 1: Please contact Renac technicians to obtain the upgrade program.
- Step 2: Insert the USB disk into the computer and copy the upgrade program to the USB disk.
- Step 3: Insert the USB disk into the USB port of the inverter.
- Step 4: Refer to the above figure to upgrade DSPM, DSPS, ARMC and AFCI respectively. (The AFCI can only be upgraded when the AFCI function is enabled.)
- Step 5: After the upgrade, the inverter will start to work automatically.

### 5.2.16 New password setting



### 5.2.17 Reset setting



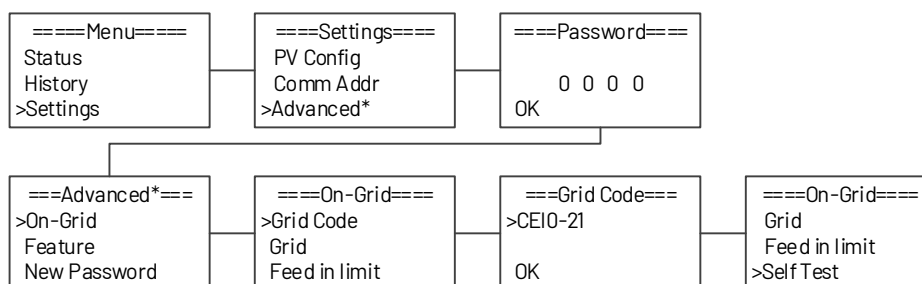
### 5.3 Self-Test in accordance with CEI 0-21 (Applies to Italy only)

The self-test is only required for inverters, which are commissioned in Italy. The Italian standard requires that all inverters feeding into the utility grid are equipped with a self-test function in accordance with CEI 0-21. Please note that there is a self-test option only when the inverter selects CEI 0-21. During the self-test, the inverter will consecutively check the protection reaction times and values for overvoltage, under voltage, over frequency and under frequency.

Self-test function is available at any time. It also allows end user get test reports shown on LCD display.

There are two ways to execute the self-test (You need to set the inverter country to CEI 0-21 before testing).

#### Self-Test from screen:



## 6. Warranty

### 6.1 Warranty claim procedure

Please report defective device with a brief error description and SN code to our service mail or service hotline for registration. Alternatively, please contact your specific dealer or installer if your unit is defective or faulty. To claim the warranty under the warranty terms of factory, you need to supply us with the following information and documentation regarding the faulty unit:

- 1) Product Model and the Serial Number.
- 2) Copy of the invoice and warranty certificate for the inverter.
- 3) Error message on LCD screen and additional information regarding the fault/error.
- 4) Detailed information about the entire system (modules, circuits, etc.).
- 5) Documentation of previous claim/exchanges (if applicable).

In the case of an exchange, the remainder of the warranty entitlement will be transferred to the replacement device. In this event, you will not receive a new certificate, as this replacement will be noted by factory.

### 6.2 Service after warranty expiration

For products which are out of warranty, factory charges an on-site service fee, parts, labor cost and logistic fee to end-user which can be any/all of:

- 1) On-site attendance fee: Cost of travel and time for the technician in attending on-site;
- 2) Parts: Cost of replacement parts (including any shipping/admin fee that may apply);
- 3) Labor: Labor time fee charged for the technician, who is repairing, maintaining, and installing (hardware or software) and debugging the faulty product;
- 4) Logistic fee: Cost of delivery, tariff and other derived expense when defective products are sent from user to factory or/ and repaired products are sent from factory to user.

## 7. Troubleshooting


Sometimes, the PV system does not work normally: we recommend the following solutions for average troubleshooting. This can help the technician to understand the problem and take a proper action.

No.	LCD display	Possible actions
1	Grid Failure	Grid voltage out of range. <ul style="list-style-type: none"> <li>• System will reconnect if the utility is back to normal.</li> <li>• Or seek help from us, if not go back to normal state</li> </ul>
2	Grid Volt Fault	Grid voltage out of range. <ul style="list-style-type: none"> <li>• System will reconnect if the utility is back to normal!</li> <li>• Or seek help from us, if not go back to normal state.</li> </ul>
3	Grid Freq Fault	Grid frequency out of range <ul style="list-style-type: none"> <li>• System will reconnect if the utility is back to normal.</li> <li>• Or seek help from us, if not go back to normal state.</li> </ul>
4	PV-V Fault	PV voltage out of range. <ul style="list-style-type: none"> <li>• Please check the output voltage of PV panels.</li> <li>• Or seek for help from us.</li> </ul>

No.	LCD display	Possible actions
5	Bus Volt Fault	Bus voltage out of range detected by hardware <ul style="list-style-type: none"> <li>• Disconnect PV, grid and battery, then reconnect.</li> <li>• Or seek help from us, if not go back to normal state</li> </ul>
6	Grid 10-min OV	The grid voltage is out of range for the last 10 Minutes. <ul style="list-style-type: none"> <li>• System will reconnect if the utility is back to normal.</li> <li>• Or seek help from us, if not go back to normal state</li> </ul>
7	DCI OCP	DC component is out of limit in output current. <ul style="list-style-type: none"> <li>• Disconnect PV, grid and battery, then reconnect.</li> <li>• Or seek help from us, if not go back to normal state.</li> </ul>
8	Ground Fault	The inverter is not connected to the ground <ul style="list-style-type: none"> <li>• Please check if the ground connection is normal, then reconnect.</li> <li>• Or seek help from us, if not go back to normal state.</li> </ul>
9	SW OCP	Output current high detected by software. <ul style="list-style-type: none"> <li>• Disconnect PV, grid and battery, then reconnect.</li> <li>• Or seek help from us, if not go back to normal state.</li> </ul>
10	RC OCP	The residual current is high. <ul style="list-style-type: none"> <li>• Please check if the insulation of electric wires is damaged.</li> <li>• Wait for a while to check if back to normal.</li> <li>• Or seek for help from us.</li> </ul>
11	Iso Check Fault	The isolation is failed. <ul style="list-style-type: none"> <li>• Please check if the insulation of electric wires is damaged.</li> <li>• Wait for a while to check if back to normal.</li> <li>• Or seek for help from us.</li> </ul>
12	Over TEMP Fault	The inverter temperature is high. <ul style="list-style-type: none"> <li>• Please check if the environment temperature.</li> <li>• Wait for a while to check if back to normal.</li> <li>• Or seek for help from us</li> </ul>
13	Meter COM Fault	The communication between meter and Inverter is interrupted. <ul style="list-style-type: none"> <li>• Check if the communication cable between meter and Inverter is correctly and well-connected.</li> </ul>
14	Fan Fault	Fan Device Fault <ul style="list-style-type: none"> <li>• Disconnect solar power PV+, PV- and battery, reconnect them.</li> <li>• Check if the fan is stopped by dust or other foreign.</li> <li>• Or seek help from us, if cannot go back to normal state.</li> </ul>
15	PLL Error	The errors are internal faults of Renac inverter <ul style="list-style-type: none"> <li>• Turn off PV and grid, wait for 5 minutes, then reconnect.</li> <li>• Or seek help from us, if not go back to normal state.</li> </ul>
16	Island Error	
17	Anti-PID	
18	SCI Fault	
19	Grid Flashover	The errors are internal faults of Renac inverter <ul style="list-style-type: none"> <li>• Turn off PV and grid, wait for 5 minutes, then reconnect.</li> <li>• Or seek help from us, if not go back to normal state.</li> </ul>
20	Inv EEPROM Fault	
21	Sample Fault	

No.	LCD display	Possible actions
22	AFCI Check Fault	The errors are internal faults of Renac inverter • Turn off PV and grid, wait for 5 minutes, then reconnect.
23	RCD Fault	• Or seek help from us, if not go back to normal state.
24	Grid RY Short	The errors are internal faults of Renac inverter
25	INV RY Short	• Turn off PV and grid, wait for 5 minutes, then reconnect.
26	INV RY Open	• Or seek help from us, if not go back to normal state.
27	Other Device Fault	The errors are internal faults of Renac inverter
28	Grid RY Open	• Turn off PV and grid, wait for 5 minutes, then reconnect.
29	AuxVolt Error	• Or seek help from us, if not go back to normal state.
30	Grid-V Mismatch	The errors are internal faults of Renac inverter
31	Grid-F Mismatch	• Turn off PV and grid, wait for 5 minutes, then reconnect.
32	Grid-I Mismatch	• Or seek help from us, if not go back to normal state.
33	RC Consist Fault	The errors are internal faults of Renac inverter
34	SCI Fault	• Turn off PV and grid, wait for 5 minutes, then reconnect.
35	HMI EEPROM Fault	• Or seek help from us, if not go back to normal state.

## 8. Maintenance

	<p>Risk of inverter damage or personal injury due to incorrect service!</p> <ul style="list-style-type: none"> <li>• Always keep in mind that the inverter is powered by dual sources: PV strings and utility grid. Before any service work, observe the following procedure.</li> <li>• Disconnect the AC circuit breaker and then set the DC load-break switch of the inverter to OFF.</li> <li>• Wait at least 5 minutes for inner capacitors to discharge completely.</li> <li>• Verify that there is no voltage or current before pulling any connector.</li> </ul>
<h1>NOTICE</h1>	<p><b>NOTICE!</b></p> <p>Restart the inverter only after removing the fault that impairs safety performance. As the inverter contains no component parts that can be maintained, never arbitrarily replace any internal components. For any maintenance need, please contact Renac Power. Otherwise, Renac Power shall not be held liable for any damage caused.</p>

### 8.1 Routine Maintenance

Item	LCD display	Period
System clean	Check the temperature and dust of the inverter. Clean the inverter enclosure if necessary. Check if the air inlet and outlet are normal, Clean the air inlet and outlet if necessary	Six months to a year (- depend on the dust contents in air.)
Cable entry	Check whether the cable entry is insufficiently sealed or the gap is excessively large, and reseal the entry when necessary!	Once a year
Electrical Connection	Check whether all cable are firmly in place. Check whether a cable is damaged, especially the part contacting the metal enclosure.	Six months to a year

Item	LCD display	Period
Fans	Check whether there is an abnormal noise when the fan rotates. Clean or replace the fan if necessary ( see the following sections )	Once a year

Maintenance Instruction

Cleaning Air Inlet and Outlet

A huge amount of heat is generated in the process of running the inverter. The inverter adapts a controlled forced-air cooling method. In order to maintain good ventilation, please check to make sure the air inlet and outlet are not blocked. Clean the air inlet and outlet with soft brush or vacuum cleaner if necessary.

**8.2 Fan Maintenance**

The fan inside the inverter is used to cool the inverter during operation. If the fan does not operate properly, the inverter may not be able to cool, and the efficiency of the inverter may be reduced. Therefore, it is necessary to clean the dirty fan in time and replace the bad fan.

Procedure:

Step 1: Stop the inverter (turn off the DC and AC switches of the inverter and wait for at least 5 minutes).

Step 2: Screw down four screws of two fan modules.

Step 3: Unscrew 4 screws for each fan module.

Step 4: Disconnect the fan wire, pull out the fan module, clean the fan with a soft brush or vacuum cleaner, and replace the fan if necessary.

Step 5: Reinstall the fan back into the inverter and restart the inverter in the opposite order.

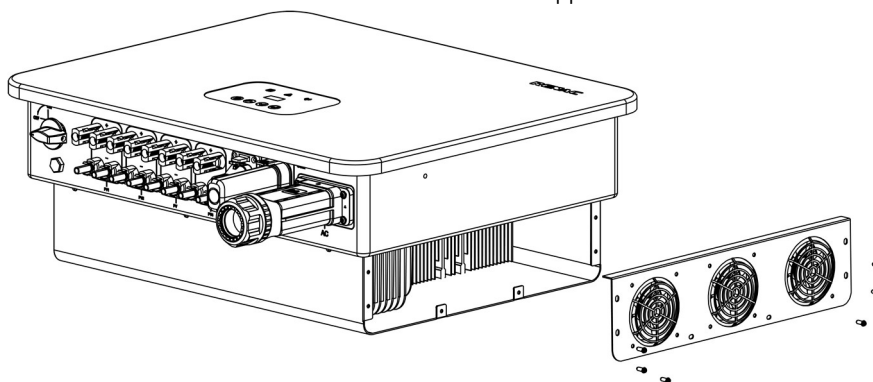


Figure 8-1



User Manual Download Centre



www.renacpower.com

422-00050-03



**SMART ENERGY FOR BETTER LIFE**

**RENAC**

RENAC POWER TECHNOLOGY CO., LTD.

Block C-12, No. 20 Datong Road, Comprehensive Bonded Zone, Suzhou Hi-Tech District, Suzhou, China

Tel: +86-0512-66677278

[info@renacpower.com](mailto:info@renacpower.com)

[www.renacpower.com](http://www.renacpower.com)